

70-400 CT

Smooth Side Wall
Smooth Top
Continuous Thread
70mm Diameter
400 Thread Profile
Lined or Unlined



OPTIONS

- Available in standard or custom colors
- Low minimum order quantities, safety stock program available
- High speed lining capabilities with a variety of lining materials including heat induction, foam and pressure sensitive
- Round or tri-tab easy-open liners
- Industry's best lead times

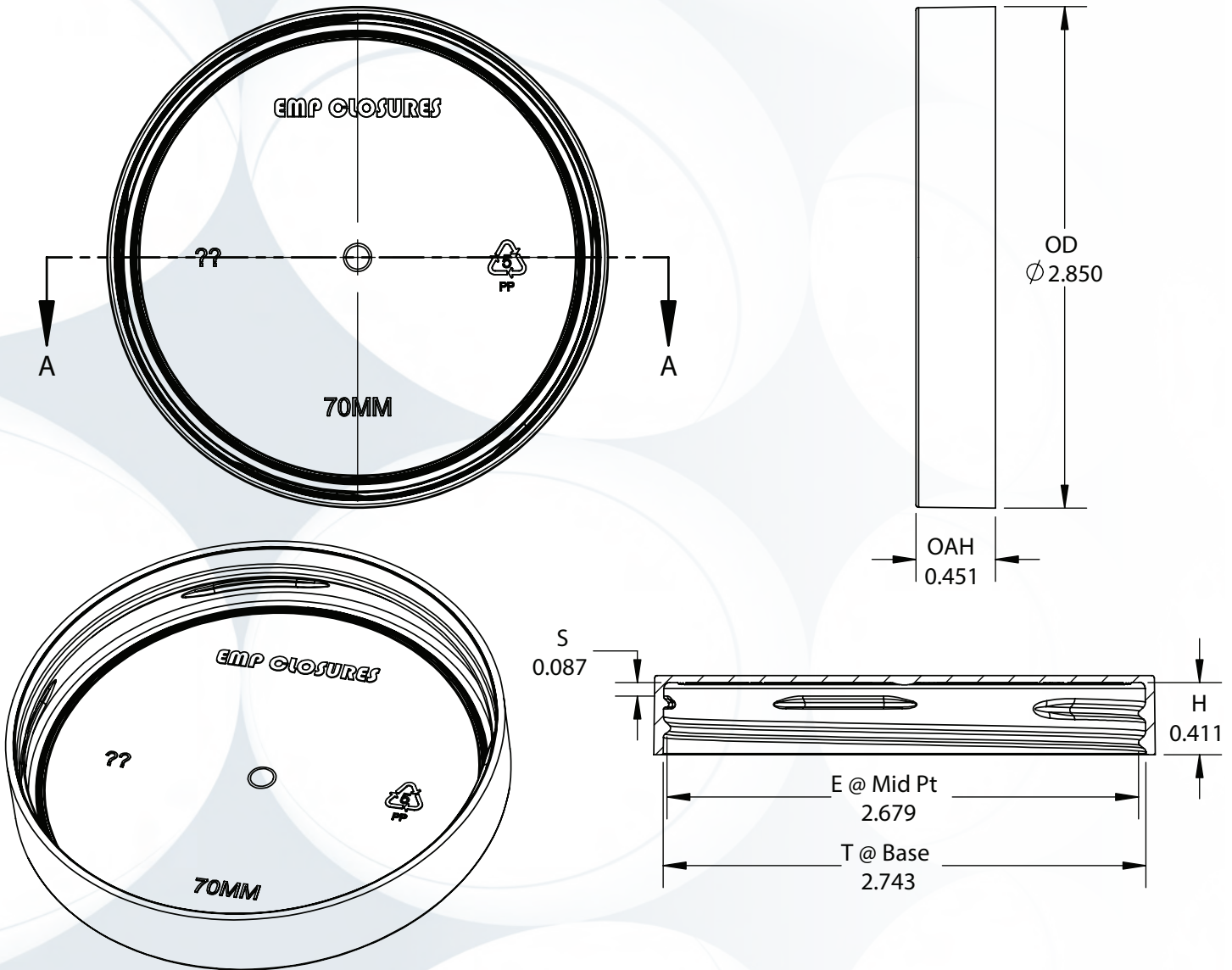
SHIPPING INFORMATION

- Carton quantity: 1,000
- Carton packing: Tumble
- Pallet quantity: 30,000
- Truckload quantity: 900,000
- Carton weight (lbs):
Lined: 19.5 Unlined: 17.5
- Pallet weight (lbs)
Lined: 635 Unlined: 575
- Carton size: 24x16x14"
- Pallet size: 40x48x91"
- Freight class: 150

STANDARD OR CUSTOM COLORS



70-400 CT



- Country of Origin is the USA and Manufacturing location is Erie, PA
- To maintain the quality of this product, it is recommended that product should be stored in its original packaging; away from any source of local heating and humidity; away from direct sunlight; under 30°C and dry conditions. It is recommended to allow product to reach operating temperature 24 hours before use.
- Products must be used within 12 months from the production date. Stocks should be in rotation so that first delivery is used first and last delivery is used last.

Inch tolerances (unless specified) General: +/- .010 "/>	6020 West Ridge Road Erie, Pennsylvania 16506 (814) 838-7914 Fax (814) 838-7411	
Number of turns: 1.125		
Pitch (TPI): 6	70-400 CT	
Material: PP	Erie Molded Packaging, Inc.	
This drawing is the exclusive property of Erie Molded Packaging, Inc. and may not be reproduced without the expressed written consent of Erie Molded Packaging, Inc.	Date: February 7, 2022	Sheet: 01 of 01