

# 63-485 CT

**Ribbed Side Wall**  
**Matte Top**  
**Continuous Thread**  
**63mm Diameter**  
**485 Thread Profile**  
**Lined or Unlined**



## OPTIONS

- Available in standard or custom colors
- Low minimum order quantities, safety stock program available
- High speed lining capabilities with a variety of lining materials including pressure sensitive and heat induction
- Round or tri-tab easy-open liners
- Lead time 2-3 weeks

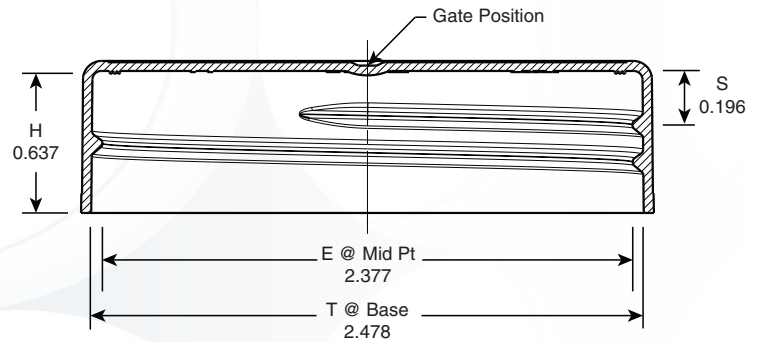
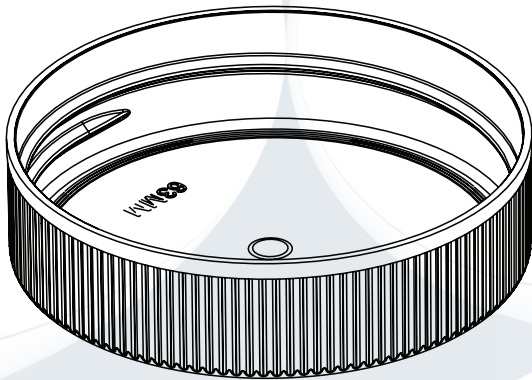
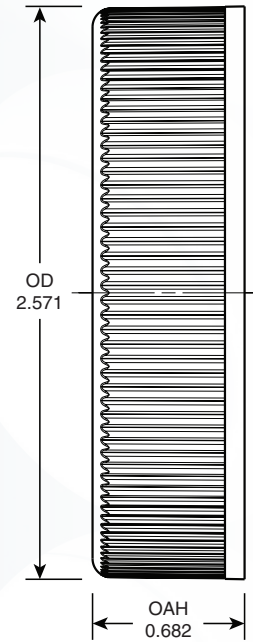
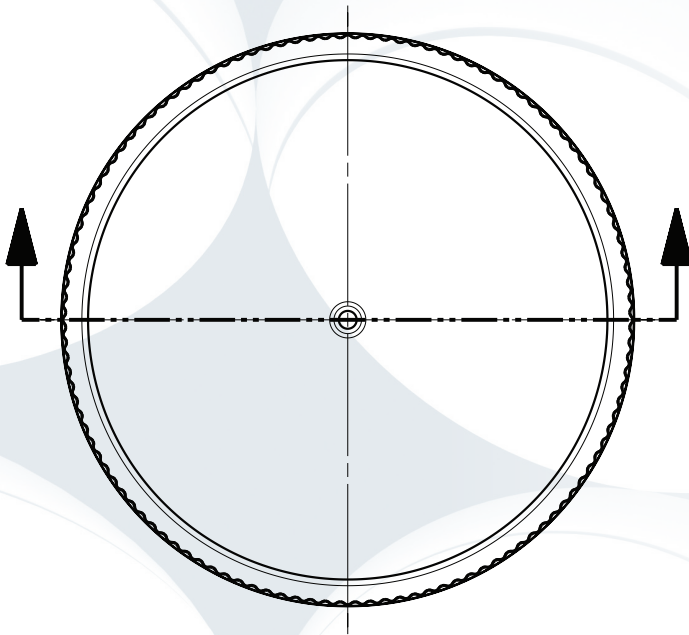
## SHIPPING INFORMATION


- Carton quantity: 1,000
- Carton packing: Tumble
- Pallet quantity: 30,000
- Truckload quantity: 900,000
- Carton weight (lbs): 18
- Pallet weight (lbs): 473
- Carton size: 24x16x14"
- Pallet size: 40x48x91"
- Freight class: 150

## STANDARD OR CUSTOM COLORS



# 63-485 CT



Inch tolerances (unless specified) General: +/- .010 "/>	 6020 West Ridge Road Erie, Pennsylvania 16506 (814) 838-7914 Fax (814) 838-7411	
Number of turns: 1.25	63-485 CT	
Pitch (TPI): 6	Erie Molded Plastics, Inc.	
Material: PP	Date: June 22, 2015	Sheet: 01 of 01
This drawing is the exclusive property of Erie Molded Plastics, Inc. and may not be reproduced without the expressed written consent of Erie Molded Plastics, Inc.		